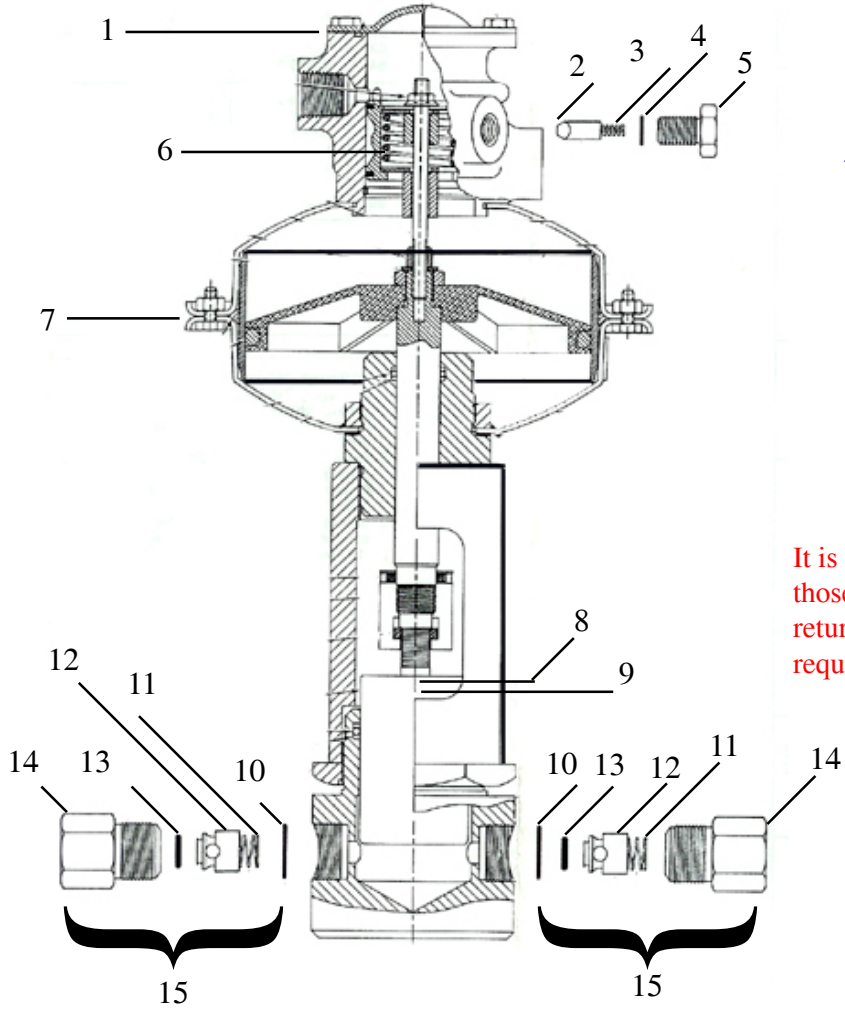


# Parts Breakdown for Contaminant Free Style Air Operated Test Pump



It is recommended that if any parts other than those listed are required, that the pump be returned to factory for repair. Special tools are required for internal adjustments.

Item	Part No.	Description	Qty	For Pump Rated To: (PSI)				
				1000	1850	6600	8800	16,000
1	190-554	Gasket, Top Cover	1	*	*	*	*	*
2	190-080	Detent Pin	4	*	*	*	*	*
3	190-079	Detent Spring	4	*	*	*	*	*
4	190-560	Detent O-ring	4	*	*	*	*	*
5	190-559	Detent Bolt	4	*	*	*	*	*
6	190-417	Spring	1	*	*	*	*	*
7	190-566	O-ring, Housing	1	*	*	*	*	*
8	190-593	O-ring, Piston	1				*	*
8	190-592	O-ring, Piston	1				*	*
8	190-591	O-ring, Piston	1			*	*	*
8	190-590	O-ring, Piston	1		*			
8	190-589	O-Ring, Piston	1	*				
9	190-586	Spiral Teflon Backup Washer	2				*	*
9	190-585	Spiral Teflon Backup Washer	2				*	*
9	190-584	Spiral Teflon Backup Washer	2			*		
9	190-583	Spiral Teflon Backup Washer	2		*			
9	190-582	Spiral Teflon Backup Washer	2	*				
10	58-037	O-ring, Check Valve Body	2	*				*
10	58-019	O-ring, Check Valve Body	2	*	*	*	*	*
11	210-067	Spring, Check Valve	2	*	*	*	*	*
12	240-115	Poppet Shuttle	2	*	*	*	*	*
13	58-031	O-ring, Poppet	2	*	*	*	*	*
14	240-114	Check Valve Body	2	*	*	*	*	*
15	120-090	Complete Check Valve Assy	2	*	*	*	*	*
N/S	120-091	Rbld Kit ( #s 10,11,12,13 )	2	*	*	*	*	*
N/S	120-093	O-ring Kit for Check Valve (#s 10,13 )	2	*	*	*	*	*
N/S	120-094	O-ring Kit for Check Valve (#s 10,13 )	2				*	*
16	190-081	Body / Piston Assy (1/2" dia. piston)	1				*	*
16	190-119	Body / Piston Assy (5/8" dia. piston)	1				*	*
16	190-121	Body / Piston Assy (3/4" dia. piston)	1			*	*	*
16	190-123	Body / Piston Assy (7/8" dia. piston)	1		*			
16	190-124	Body / Piston Assy (1" dia. piston)	1	*				

**Hydro-Test Products Inc.**

[www.hydro-test.com](http://www.hydro-test.com)

85 Hudson Road  
Stow, MA 01775

Tel: 800-225-9488  
Fax: 978-897-1942